

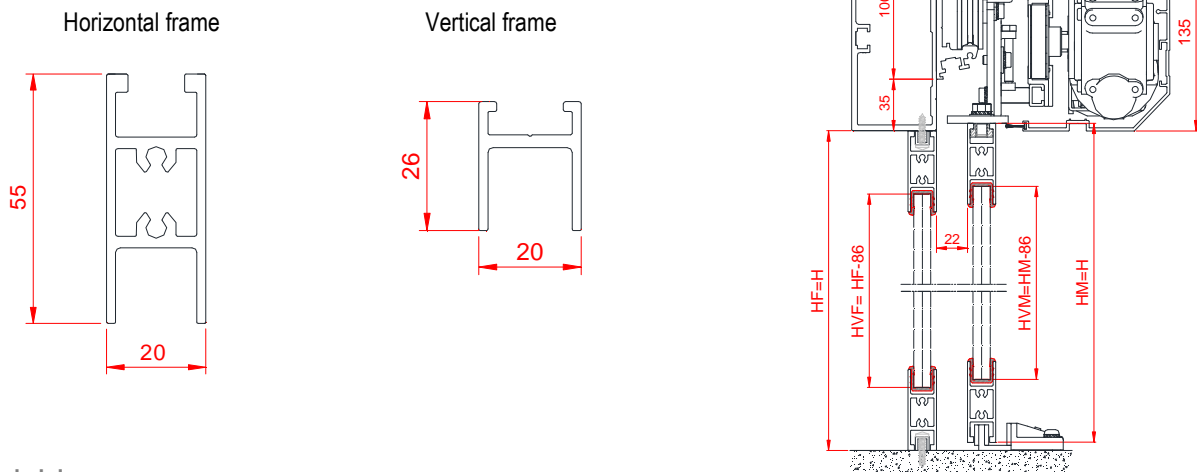
TECHNICAL BROCHURE: SLIM 20 profiles

Description

SLIM 20 profiles is slender frame designed closure that provide transparent entrance. Due to vertical frames are very thin (26 mm height only) you can see clear throughout the door. These are main features of SLIM 20 profiles:

- The set includes 5 aluminium frames and 4 rubber weatherstrips.
- Sliding and fixed leaves are formed by same 2 profiles, one for horizontal frames and the other for vertical ones.
- Fastening of frames to 90° with 2 screws and a wedge.
- Installation measures are designed to fulfill the safety standard EN 16005
- Great weather sealing thanks to overlaped rubber weatherstrips.
- Possibility to install laminated following laminated glass: 4+4mm, 5+5mm and 6+6mm.
- Easy to install without any special tool.
- "U" shape profile for sides to avoid wall defects.

Dimensions



Finishing

- ✓ Powder coated: all colors of RAL.
- ✓ Anodized: silver, bronze, black, titanium and special anodizing

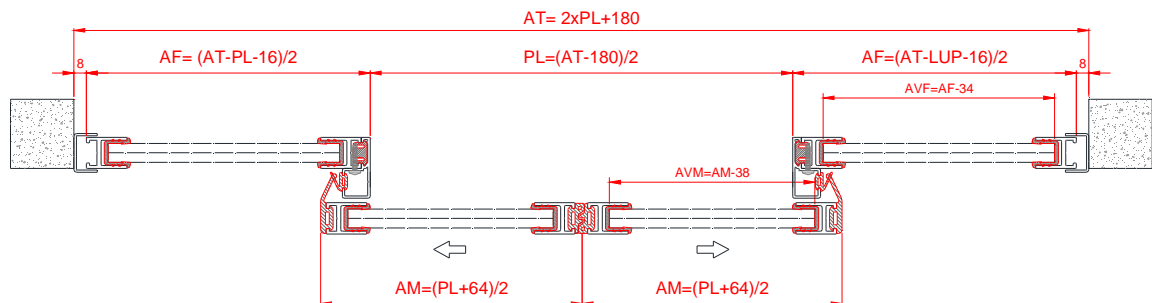
TECHNICAL BROCHURE: SLIM 20 profiles

Features

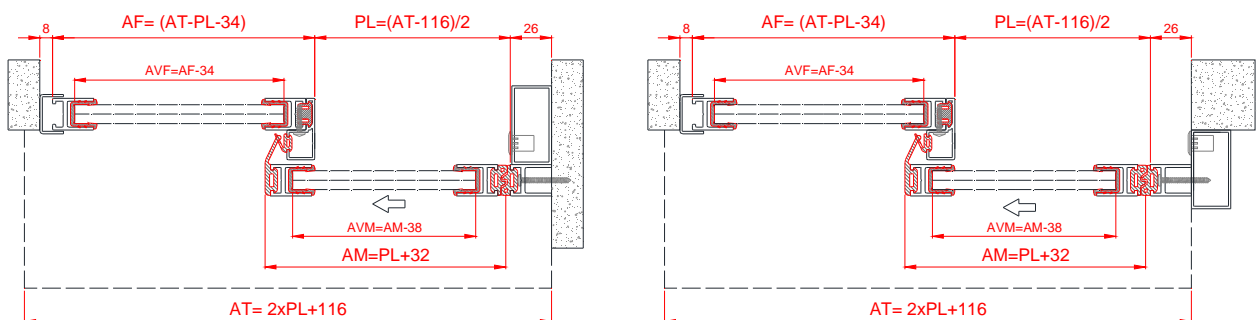
- ✓ Horizontal frame measures: 20x55mm ; Vertical frame measures: 20x25mm
- ✓ Extruded aluminium profiles in 6063 alloy under ISO 9002 certification.
- ✓ Glass thickness: from 8 to 12 mm
- ✓ Colocación del vidrio mediante gomas en "U"
- ✓ Right angle fixing in frames

Sections

- 2 sliding leaves+2 fixed leaves



- 1 sliding leaf+1 fixed leaf



Limits

Profile	Max. weight (kg)	Max. Leaf height (mm)	Leaf width (mm)	Glass thickness (mm)	Overlap (mm)
SLIM 20	120	2.500	500 ÷ 1.500	8 ÷ 12	30